

## SHIMS

### BETEX SOLID STAINLESS STEEL SHIMS

Precut stainless steel shims for fast, simple and precise machine alignment.

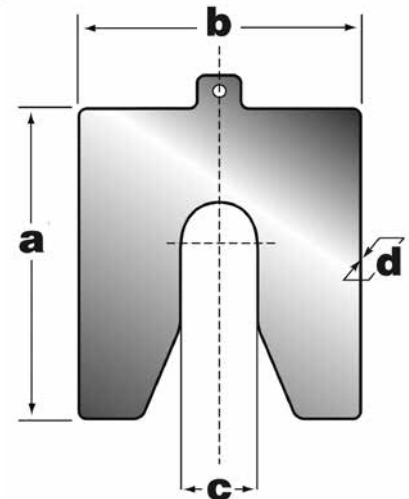
- Available in 6 difference sizes and 11 thicknesses.
- Packed in sets of 10 shims.
- High-quality, non-corroding material.
- The shim's thickness is etched on each shim.
- 31 standard combinations in handy carrying cases.
- Suitable for reuse.

#### Your advantages:

- You have the right size available for immediate use.
- The shims have been smoothed and have no burrs.
- Precise machine alignment helps you get the best machine performance.
- Stock control is now simpler and easier to verify.
- **Now also available in 2 and 3 mm thickness!**



Packed in sets of 10 shims.



#### Sizes of solid shims (AISI 304)

	Art. no.	package	a mm	b mm	c mm	d mm	bolt size
<b>MINI</b>	B035005Mn	10	35	30	9	0.05	M8
	B035010Mp	10	35	30	9	0.10	M8
	B035020Mr	10	35	30	9	0.20	M8
	B035025Ms	10	35	30	9	0.25	M8
	B035040Mt	10	35	30	9	0.40	M8
	B035050Mu	10	35	30	9	0.50	M8
	B035070Mv	10	35	30	9	0.70	M8
	B035100Mw	10	35	30	9	1.00	M8
<b>A</b>	B0500025Ak	10	50	50	13	0.025	M12
	B050005An	10	50	50	13	0.05	M12
	B050010Ap	10	50	50	13	0.10	M12
	B050020Ar	10	50	50	13	0.20	M12
	B050025As	10	50	50	13	0.25	M12
	B050040At	10	50	50	13	0.40	M12
	B050050Au	10	50	50	13	0.50	M12
	B050070Av	10	50	50	13	0.70	M12
	B050100Aw	10	50	50	13	1.00	M12
	B050200Ax	10	50	50	13	2.00	M12
B050300Ay	10	50	50	13	3.00	M12	
<b>B</b>	B0750025Bk	10	75	75	21	0.025	M20
	B075005Bn	10	75	75	21	0.05	M20
	B075010Bp	10	75	75	21	0.10	M20
	B075020Br	10	75	75	21	0.20	M20
	B075025Bs	10	75	75	21	0.25	M20
	B075040Bt	10	75	75	21	0.40	M20
	B075050Bu	10	75	75	21	0.50	M20
	B075070Bv	10	75	75	21	0.70	M20
	B075100Bw	10	75	75	21	1.00	M20
	B075200Bx	10	75	75	21	2.00	M20
	B075300By	10	75	75	21	3.00	M20

	Art. no.	package	a mm	b mm	c mm	d mm	bolt size
<b>C</b>	B1000025Ck	10	100	100	32	0.025	M30
	B100005Cn	10	100	100	32	0.05	M30
	B100010Cp	10	100	100	32	0.10	M30
	B100020Cr	10	100	100	32	0.20	M30
	B100025Cs	10	100	100	32	0.25	M30
	B100040Ct	10	100	100	32	0.40	M30
	B100050Cu	10	100	100	32	0.50	M30
	B100070Cv	10	100	100	32	0.70	M30
	B100100Cw	10	100	100	32	1.00	M30
	B100200Cx	10	100	100	32	2.00	M30
B100300Cy	10	100	100	32	3.00	M30	
<b>D</b>	B1250025Dk	10	125	125	45	0.025	M42
	B125005Dn	10	125	125	45	0.05	M42
	B125010Dp	10	125	125	45	0.10	M42
	B125020Dr	10	125	125	45	0.20	M42
	B125025Ds	10	125	125	45	0.25	M42
	B125040Dt	10	125	125	45	0.40	M42
	B125050Du	10	125	125	45	0.50	M42
	B125070Dv	10	125	125	45	0.70	M42
	B125100Dw	10	125	125	45	1.00	M42
	B125200Dx	10	125	125	45	2.00	M42
B125300Dy	10	125	125	45	3.00	M42	
<b>E</b>	B200005En	10	200	200	55	0.05	M52
	B200010Ep	10	200	200	55	0.10	M52
	B200020Er	10	200	200	55	0.20	M52
	B200025Es	10	200	200	55	0.25	M52
	B200040Et	10	200	200	55	0.40	M52
	B200050Eu	10	200	200	55	0.50	M52
	B200070Ev	10	200	200	55	0.70	M52
	B200100Ew	10	200	200	55	1.00	M52
	B200200Ex	10	200	200	55	2.00	M52
	B200300Ey	10	200	200	55	3.00	M52



Case ABCD



Case ABC



Case ABC

**31 standard combinations in handy carrying case (other combinations on request)**

Art. no	Thickness:	Number of shims per series / case in various sizes in mm											Total per case
		0.025	0.05	0.10	0.20	0.25	0.40	0.50	0.70	1.00	2.00	3.00	
		Case type:											
B020210	AB 10/9		10	10	10	10	10	10	10	10	10		180
B020230	AB 10/10		10	10	10	10	10	10	10	10	5	5	180
B020240	AB 10/11	10	10	10	10	10	10	10	10	10	5	5	200
B020220	AB 20/9		20	20	20	20	20	20	20	20	10		340
B020250	AB 20/10		20	20	20	20	20	20	20	10	5	5	320
B020260	AB 20/11	20	20	20	20	20	20	20	20	10	5	5	360
B020310	BC 10/9		10	10	10	10	10	10	10	10	10		180
B020330	BC 10/10		10	10	10	10	10	10	10	10	5	5	180
B020340	BC 10/11	10	10	10	10	10	10	10	10	10	5	5	200
B020320	BC 20/9		20	20	20	20	20	20	20	20	10		340
B020350	BC 20/10		20	20	20	20	20	20	20	10	5	5	320
B020360	BC 20/11	20	20	20	20	20	20	20	20	10	5	5	360
B020410	CD 10/9		10	10	10	10	10	10	10	10	10		180
B020430	CD 10/10		10	10	10	10	10	10	10	10	5	5	180
B020440	CD 10/11	10	10	10	10	10	10	10	10	10	5	5	200
B020420	CD 20/9		20	20	20	20	20	20	20	20	10		340
B020450	CD 20/10		20	20	20	20	20	20	20	10	5	5	320
B020460	CD 20/11	20	20	20	20	20	20	20	20	10	5	5	360
B020110	ABC 10/9		10	10	10	10	10	10	10	10	10		270
B020100	ABC 10/10		10	10	10	10	10	10	10	10	5	5	270
B020140	ABC 10/11	10	10	10	10	10	10	10	10	10	5	5	300
B020120	ABC 20/9		20	20	20	20	20	20	20	20	10		510
B020130	ABC 20/10		20	20	20	20	20	20	20	10	5	5	480
B020150	ABC 20/11	20	20	20	20	20	20	20	20	10	5	5	540
B020019	ABCD 10/9		10	10	10	10	10	10	10	10	10		360
B020030	ABCD 10/10		10	10	10	10	10	10	10	10	5	5	360
B020040	ABCD 10/11	10	10	10	10	10	10	10	10	10	5	5	400
B020029	ABCD 20/9		20	20	20	20	20	20	20	20	10		680
B020031	ABCD 20/10		20	20	20	20	20	20	20	10	5	5	640
B020032	ABCD 20/11	20	20	20	20	20	20	20	20	10	5	5	720
B020600	E 10/10		10	10	10	10	10	10	10	10	5	5	90

## SHIMS

### BETEX PEEL-OFF HARD BRASS OR STAINLESS STEEL SHIMS

- Laminated pre-cut shims (peel-off)
- Made of high-quality hard brass or stainless steel to prevent corrosion
- Available in 7 sizes
- 12 peel-off layers (8 x 0.1 mm and 4 x 0.05 mm)
- Burr-free with specially rounded corners
- They always fit! Simply peel off until the right thickness is obtained

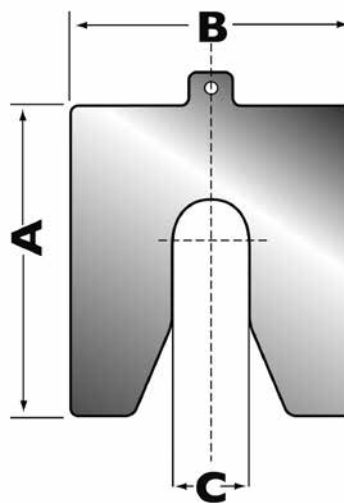
#### Size of peel-off shims in mm

Art. no.	Material	Package	A mm	B mm	C mm	Bolt size
8125005	HMS	10	35	30	9	M8
812502	HMS	10	50	50	13	M12
8125035	HMS	10	75	75	21	M18
812504	HMS	10	100	100	32	M27
8125045	HMS	10	125	125	45	M36
812506	HMS	10	200	200	55	M52

Art. no.	Material	Package	A mm	B mm	C mm	Bolt size
8125505	STAINLESS STEEL	10	35	30	9	M8
812552	STAINLESS STEEL	10	50	50	13	M12
812553	STAINLESS STEEL	10	75	75	21	M18
812554	STAINLESS STEEL	10	100	100	32	M27
8125545	STAINLESS STEEL	10	125	125	45	M36
812556	STAINLESS STEEL	10	200	200	55	M52

#### Size of peel-off shims in mm

Art. no.	Material	Dimensions mm
812508	HMS	610 x 1220 x 1.00
812558	STAINLESS STEEL	610 x 1220 x 1.00



#### TIP!

Use in combination with:  
 Toe jacks, page 113-114  
 Spreaders, page 116  
 Alignment computers: 143 -146